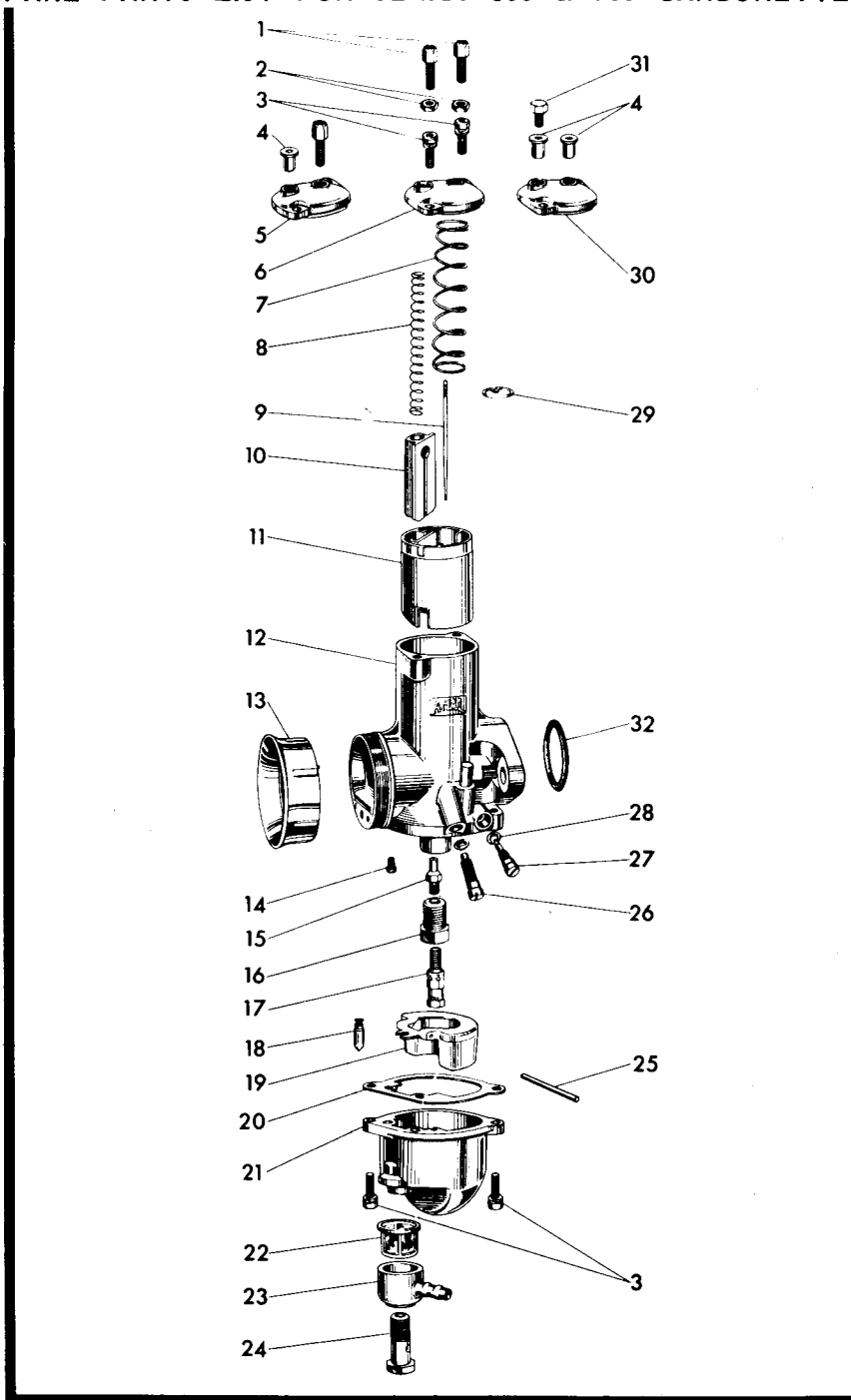


SPARE PARTS LIST FOR SERIES 600 & 900 CARBURETTERS



GUARANTEE.—The Company take all possible reasonable care in the manufacture and the quality of their products. Purchasers are informed that, any part proved to be defective in manufacture or quality, and returned to the works within six months of its purchase new, will be replaced. The Company must respectfully point out however, that its responsibility and that of its agents, stockists and dealers, is limited to this Guarantee, and that they cannot, under any circumstances, be held responsible for any loss or for any contingent or resulting liability arising through any defect. These conditions of sale and use also apply when the Company's products form part of the original equipment of machines purchased new.

3,000/6/66/J.



SPARE PARTS LIST FOR SERIES 600 AND 900 CARBURETTERS.

KEY TO Illustration	COMPONENT	CARBURETTER SERIES 600	CARBURETTER SERIES 900
1	Cable Adjuster	4/035	4/035
2	Cable Adjuster Locknut	5/077	5/077
3	Float Chamber & Mixing Chamber Top Securing Screws	622/086	622/086
4	Cable Ferrules (Top Hat)	6/132A	6/132A
5	Mixing Chamber Top for Adjuster & Ferrule	622/097	928/097
6	Mixing Chamber Top (Std)	622/064	928/064
7	Throttle Valve Spring	622/061	622/061
8	Air Valve Spring	622/065	622/065
9	Throttle Needle	622/063	928/063
	Throttle Needle (for Alcohol only)	622/099	928/099
10	Air Valve	622/062	928/062
11	Throttle Valve (Specify Cutaway)	622/060	928/060
12	Carburettor Body & Tickler Assembly	*	*
13	Air Intake Tube (Std)	376/066	928/066
	Air Intake Tube (2 $\frac{3}{4}$ " Long)	376/143	928/069
	Air Intake Tube (2 $\frac{5}{16}$ " Long)		928/070
14	Pilot Jet	124/026	124/026
15	Needle Jet	622/079	622/079
16	Needle Jet (for Alcohol only)	622/100	622/100
17	Jet Holder	622/080	622/080
	Main Jet (Specify Size)	376/100	376/100
19	Float	622/069	622/069
20	Float Chamber Washer	622/073	622/073
21	Float Chamber Body	622/050	622/050
22	Filter	376/093	376/093
	Filter (for Alcohol only)	376/093B	376/093B
23	Banjo Single Push On	375/068	375/068
	Banjo Single Push On (Nylon or Diecast)	376/097	376/097
	Banjo Single Screwed $\frac{1}{4}$ " BSP	376/090	376/090
	Banjo Single Push On	376/130	376/130
	Banjo Double 60° (Nylon or Diecast)	376/098	376/098
	Banjo Double 90° Push On	376/135	376/135
	Banjo Double 150° Push On	376/139	376/139
	Banjo Double 55° Push On	376/410	376/410
	Banjo Double Screwed $\frac{1}{4}$ " BSP	376/108	376/108
	Banjo Washer (for Alcohol only)	14/175	14/175
Not Illustrated 24	Banjo Bolt	622/078	622/078
Not Illustrated	Banjo Bolt Washer (for Diecast Banjo's only)	376/092	376/092
25	Float Spindle	622/071	622/071
26	Throttle Stop Adjusting Screw	622/077	622/077
27	Pilot Air Adjusting Screw	622/076	622/076
28	'O' Rings	622/082	622/082
29	Needle Clip	622/067	622/067
30	Mixing Chamber Top for Two Ferrules	622/098	928/098
31	Plug for Mixing Chamber Top	4/137A	4/137A
32	'O' Ring for Flange Sealing	622/101	622/101

* WHEN ORDERING SPARES PLEASE QUOTE COMPLETE CARBURETTER NUMBER FOUND ON RAISED BOSS POSITIONED ON CARBURETTER BODY AT AIR INTAKE END.

**AMAL LTD., HOLDFORD ROAD, WITTON,
BIRMINGHAM 6, ENGLAND**

Phone: (021) 356 4801

Telegrams: "AMALCARB, PHONE,
BIRMINGHAM."